

REPLACEMENT MANUAL

Montageanleitung, Notice de montage

CONECTO SWIVEL, CONECTO SMALL and CONECTO bolt and nut replacement manual

Follow the steps from left to right. For spare parts e-mail to: service@edelrid.de



Overview of parts.

Prepare and check items.

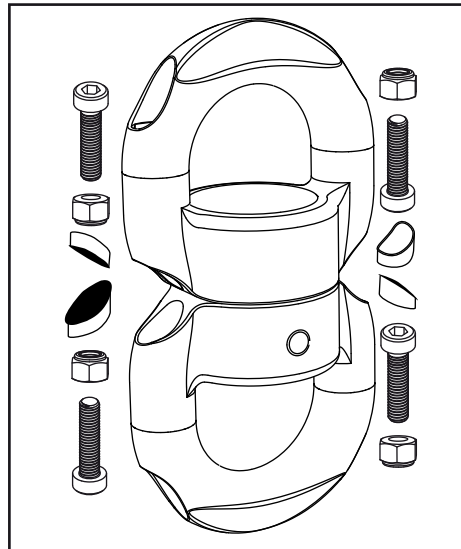
Remove and dispose old bolts and nuts.

Adjust torque wrench and take new bolts and nuts.

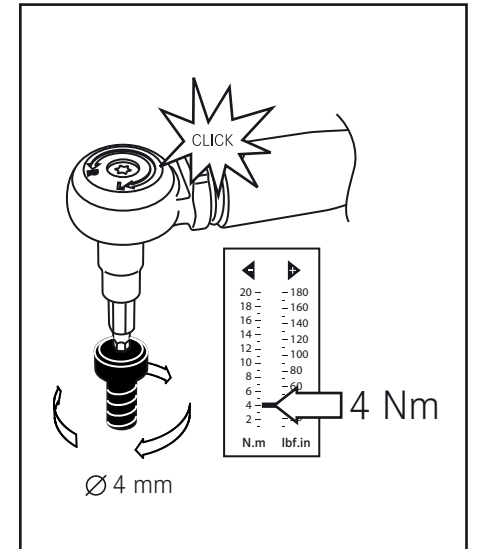
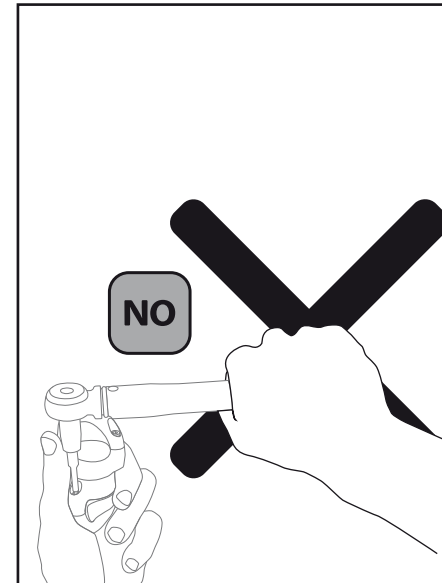
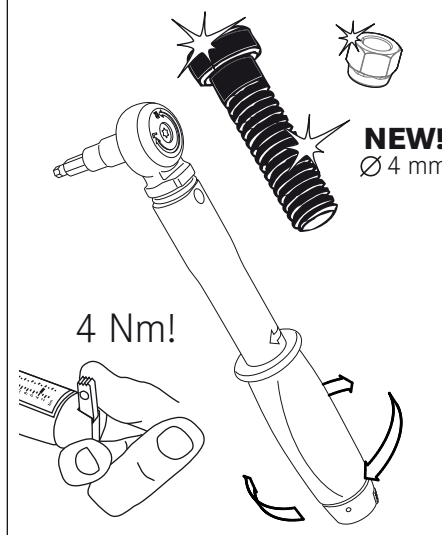
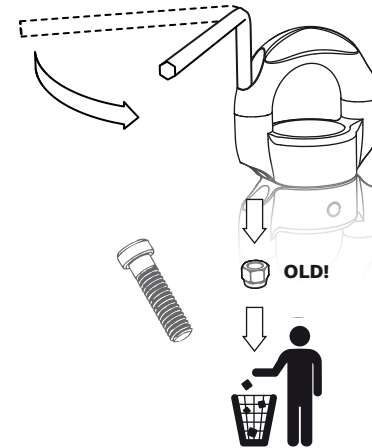
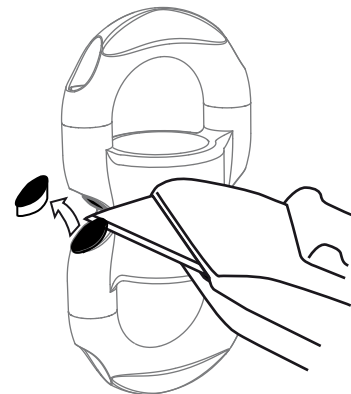
Please handle torque wrench carefully.

Fasten new bolts with torque wrench.

CONECTO SWIVEL

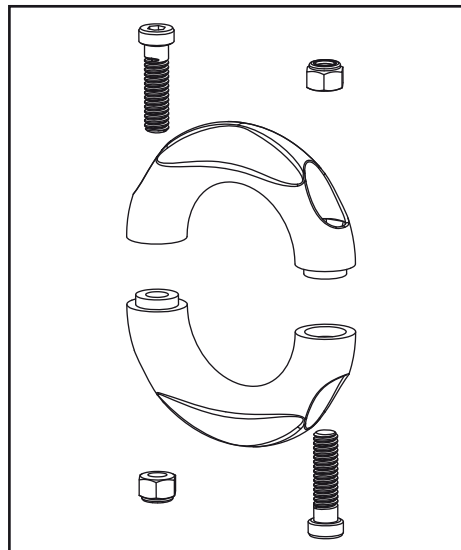


Remove all screw plugs

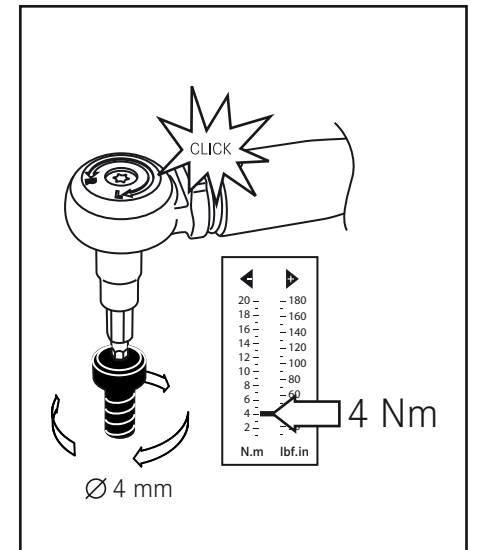
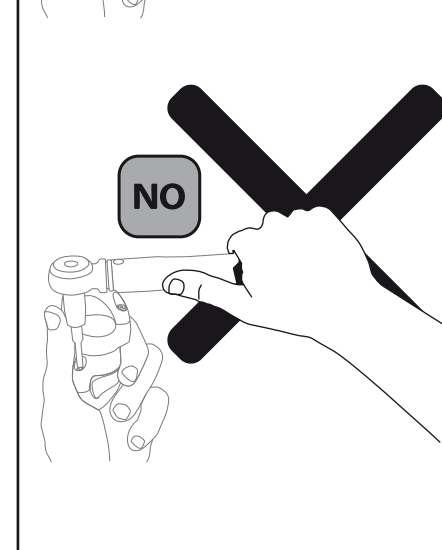
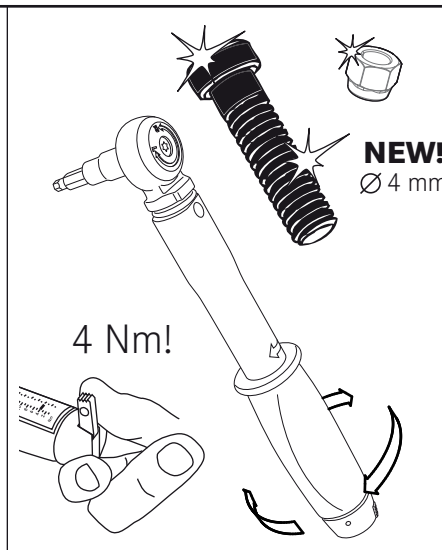
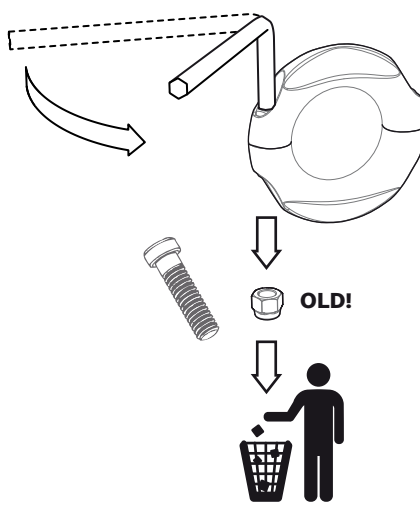
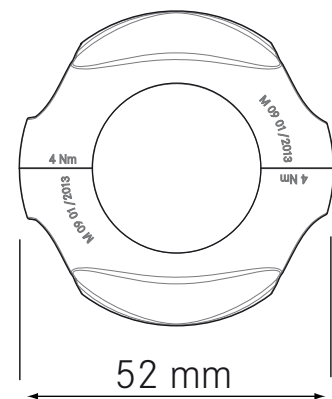


After 20 h / each year:
check torque 4 Nm

CONECTO SMALL

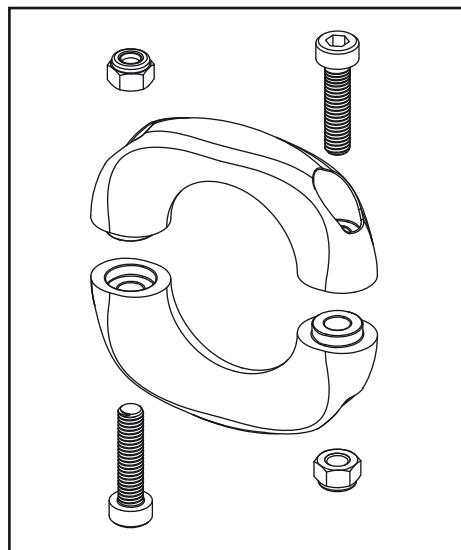


4 Nm

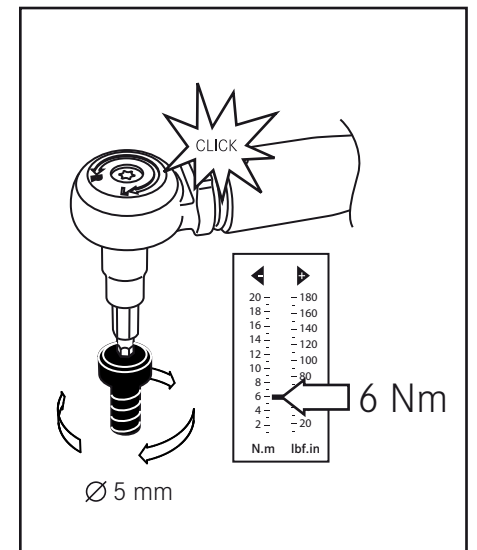
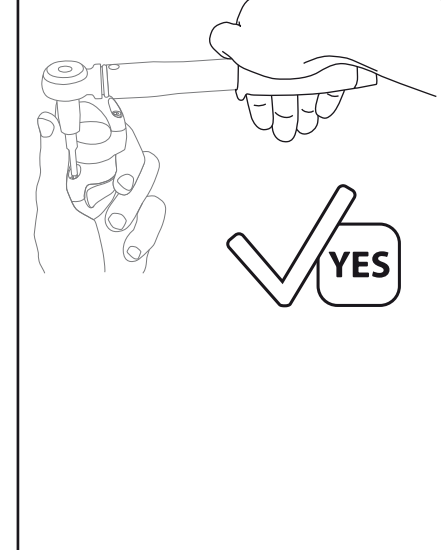
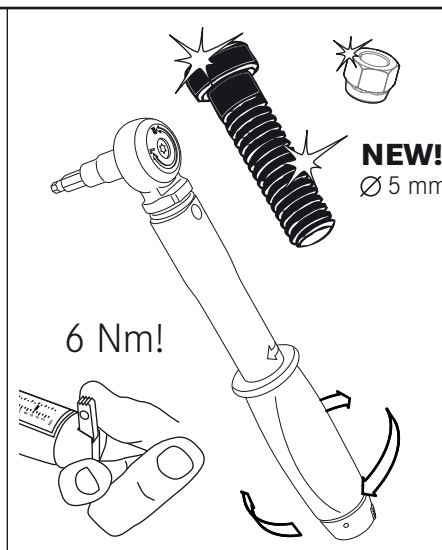
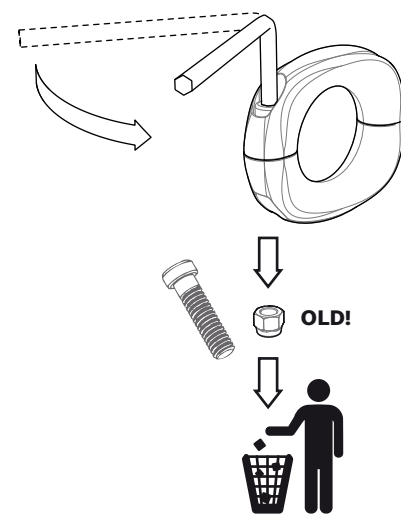
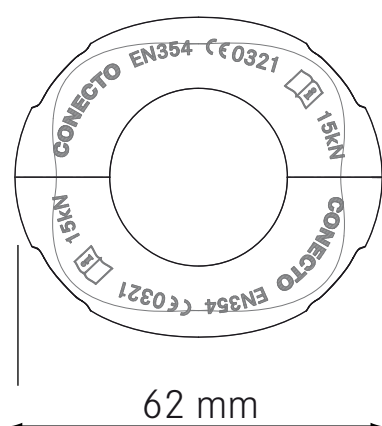


After 20 h / each year:
check torque 4 Nm

CONECTO



6 Nm



After 20 h / each year:
check torque 6 Nm